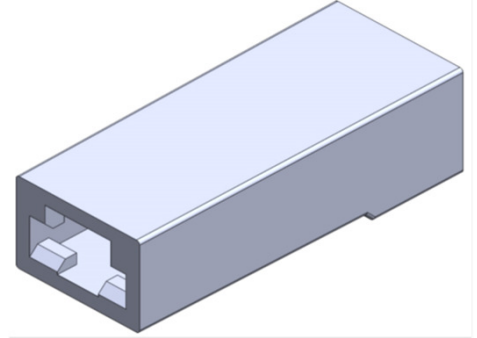


DESCRIPTION	For receptacles suitable to tabs width 4.8
COLOR	Natural
MATERIAL TYPE	PA66
FLAMABILITY CLASS	V2

**Application Data**

Temperature range	
Min.	Max.
-40°C	+120°C

Compatibility

Wire size (mm ²) - Max.	2,5
-------------------------------------	-----

Mechanical properties terminal-connector for way

Insertion *	Withdrawal *
15 N Max.	45 N Min.

*By using
SF1DKM MINI, SF1DK MINI, SF1D MINI, SF1DB MINI

Glow wire test

Temperature	Result
550°C	<input checked="" type="checkbox"/>
650°C	<input checked="" type="checkbox"/>

PREP.: TURAN KELEŞ

CON.: HUSEYİN DOĞAN