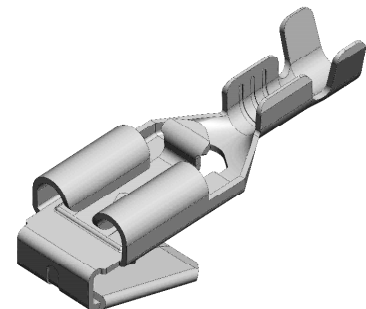


TAB SIZE	6,3 x 0,80
WIRE SIZE	0,50 ÷ 0,75 mm <sup>2</sup>
MATERIAL	CuZn
PLATING	Sn
MAXIMAL TEMPERATURE	120 °C
PACKING QUANTITY - CHAIN	1.500



#### INSERTION / WITHDRAWAL FORCES

	1. INSERTION	1. WITHDRAWAL	6. WITHDRAWAL
TS EN 61210	80 N max.	-	18 N min.
HATKO	25 N	80 N min.	-
Typical Values	13 N	115 N	-

#### CRIMP FORCES / DIMENSIONS

	1. PULL OUT FORCE		
	0,50 mm <sup>2</sup>	0,75 mm <sup>2</sup>	AWG 18
TS EN 61210	56 N min.	84 N min.	89 N min.
HATKO	56 N min.	84 N min.	89 N min.
Typical Values	127 N	144 N	177 N

	HEIGHT (mm)		WIDTH (mm)	
	WIRE	INSULATOR	WIRE	INSULATOR
0,50 mm <sup>2</sup>	1,48 ±0,05	2,65 ±0,05	2,27 ±0,10	3,50 ±0,10
0,75 mm <sup>2</sup>	1,55 ±0,05	2,70 ±0,05	2,27 ±0,10	3,52 ±0,10
AWG 18	1,60 ±0,05	2,80 ±0,05	2,27 ±0,10	3,56 ±0,10

PITCH	22,40 mm
APPLICATOR NR	904579HTYK2

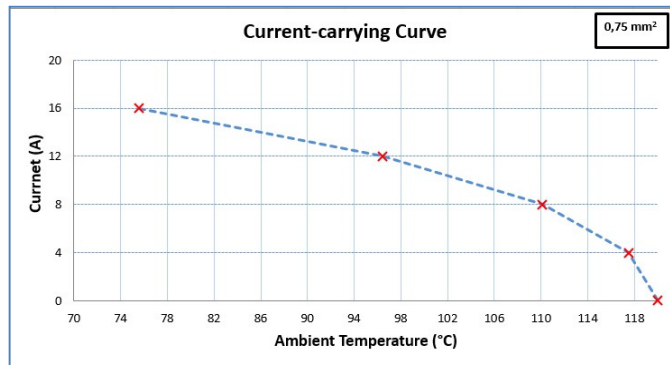
PREP.: TURAN KELEŞ

CON.: HUSEYIN DOGAN

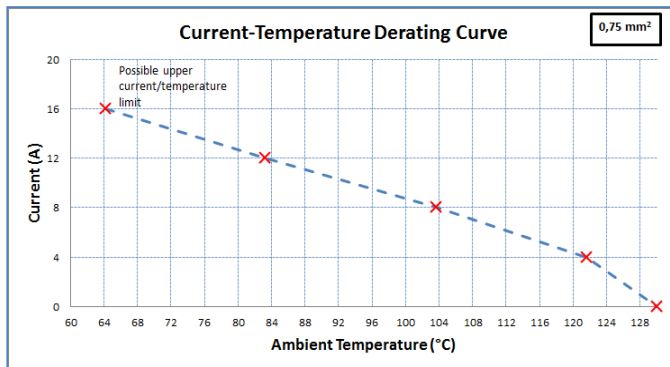
	CURRENT CARRYING CAPACITY Max. A	Max.. CONTACT RESISTANCE with Min. WIRE SIZE (mΩ)
0,50 mm <sup>2</sup>	10	0,75
0,75 mm <sup>2</sup>	16	-
AWG18	16	-

**CURRENT-CARRYING CURVE / CURRENT TEMPERATURE DERATING CURVE / CURRENT-TEMPERATURE RISE CURVE (\*)**

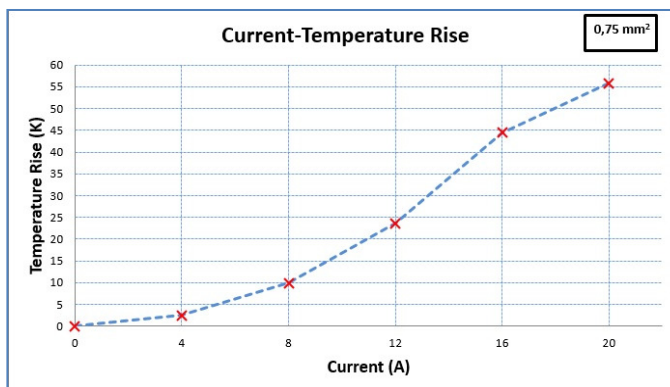
**Current Carrying Curve**



**Current-Temperature Derating Curve**



**Temperature Rise Curve**



(\*) These tests have been performed by TÜV RHEINLAND TURKEY Laboratories.

PREP.: TURAN KELEŞ

CON.: HUSEYİN DOĞAN